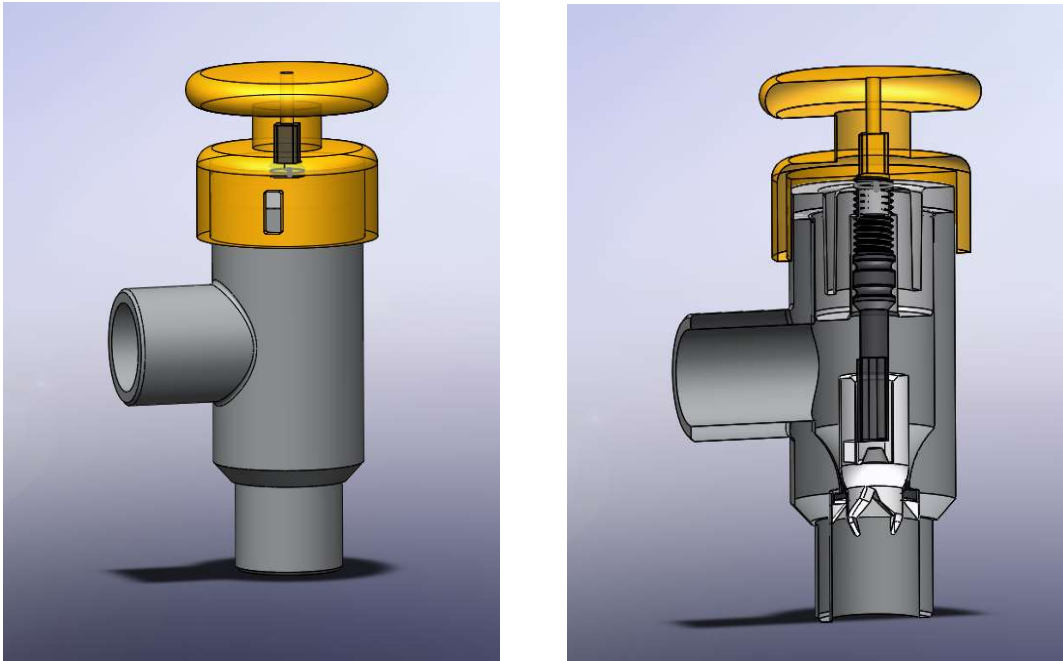




Adjustable Non-Return valve ANR-1500

Data sheet



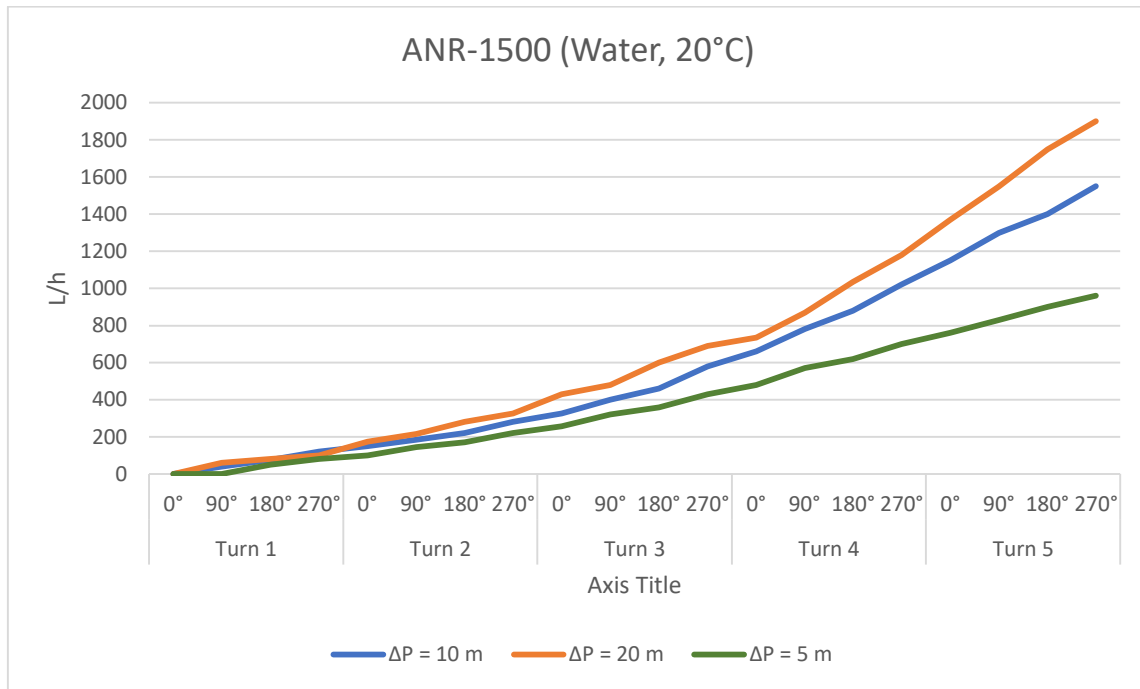
The Adjustable Non-Return valve is an innovative solution for fluids flow adjustment (style needle-valves) with a self-cleaning mechanism and integral reliable ball-based non-return valve.

Its major parts are made of PVC-U to easily fit all standard $\text{Ø}25\text{mm}$ PVC glue socket fittings. It is especially designed to fit on top of a Rotameter.

All ANR-1500 parts are chemical resist based on standard material resistance tables of each part's structure material.



Performance chart:ⁱ

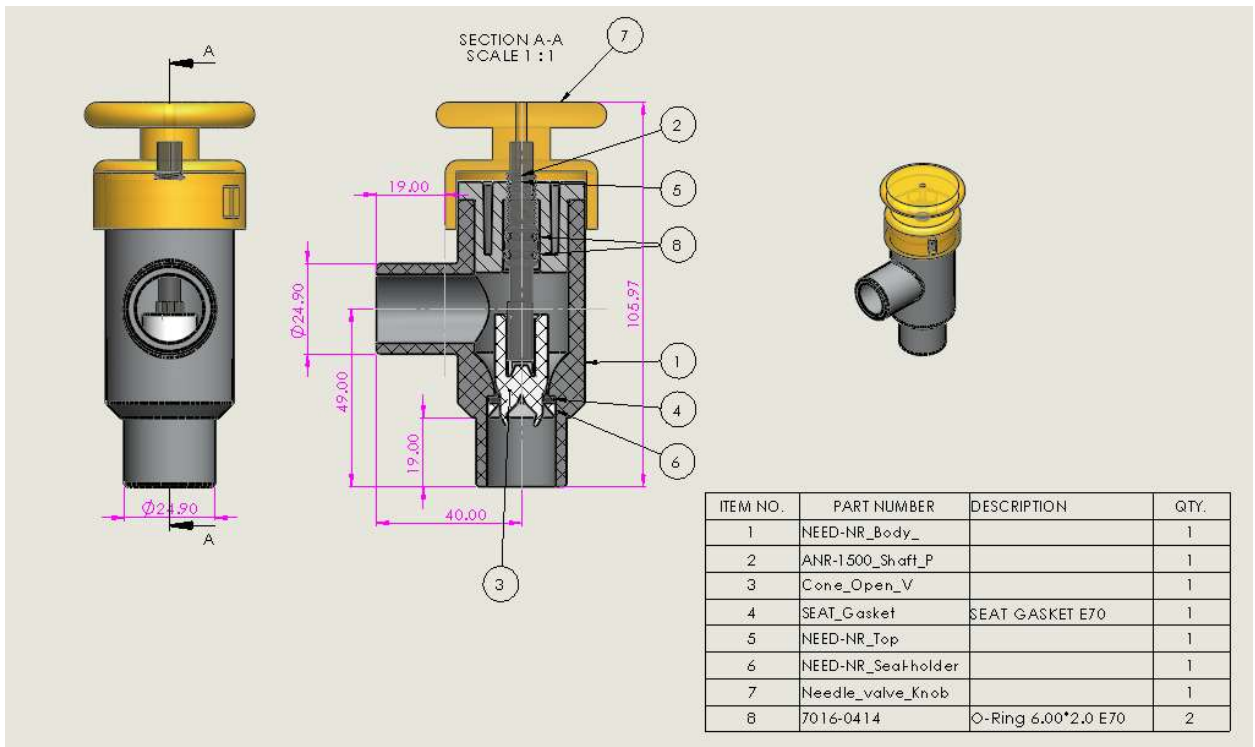


Specifications:

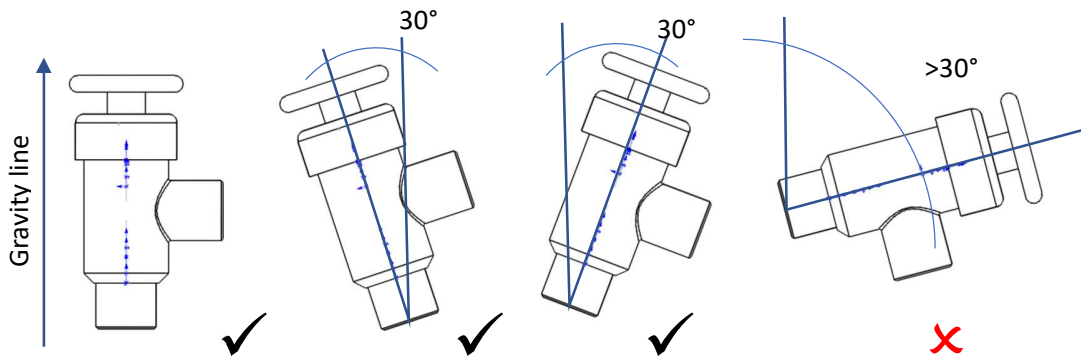
Weight:	107	gr
Inlet Diameter:	25	mm
Outlet Diameter:	25	mm
Rated pressure:	800	kPa (PN 8)
Body:	PVC-U	
Knob:	PVC-U	
Shaft:	HDPE	
Cone:	HDPE	
Seal & O rings:	EPDM 70/ Viton	
Max Operating temperature: 55°C (130°F)		



Dimensions & Drawing:



Installation:



Ver. 3 Feb. 17 2020

ⁱ Chart tested and validated with a newer model.

www.global-engineering.com email: info@global-engineering.com

Idan 502, Arava, 8684000, Israel.

+972 528 666 117

[DOCUMENT TITLE] | [Document subtitle]